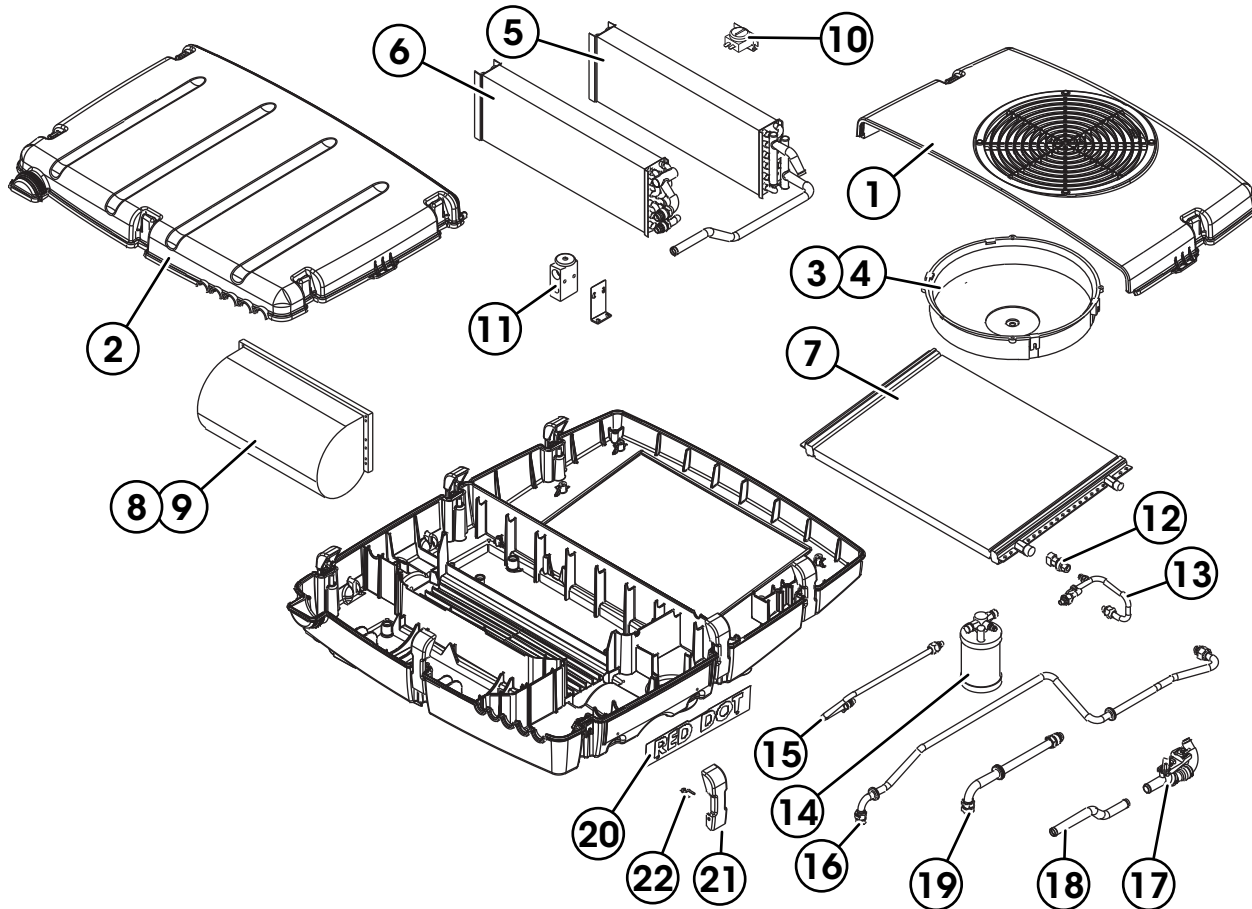


Heater Air Conditioner Model R-9777-0,-1

SERVICE PARTS LIST



ITEM	NOTE	PART NO.	DESCRIPTION	CAT. NO.
1		RD-3-9135-0P	Cover - Condenser - Gray	
2		RD-3-9152-0P	Cover - Evaporator - Gray	
3		RD-5-9076-2P	Fan/Motor Assembly, 12v	73R8642
4		RD-5-9076-3P	Fan/Motor Assembly, 24v	73R8644
5		RD-1-1755-0P	Heater Core Assembly	76R1560
6		RD-2-3413-0P	Evaporator Assembly	76R5820
7		RD-4-5378-0P	Condenser	77R1290
8		RD-5-8583-0P	Motor Blower Assembly, 12v	73R5552
9		RD-5-8583-1P	Motor Blower Assembly, 24v	73R5554
10		RD-5-4531-24P	Thermostat - Side & Btm Mnt	71R3200
11		RD-5-9513-0P	Expansion Valve	71R8380
12		RD-5-9577-0P	Pressure Switch	71R6150
13		RD-2-3418-0P	Tube - #6 Receiver Drier - Cond	
14		RD-5-9419-1P	Receiver Drier, R134a	74R2590
15		RD-2-3419-0P	Tube - #6 Condenser	
16		RD-4-5453-0P	Tube Assembly - Inlet Cond	
17		RD-5-9224-1P	Water Valve - Cable Operated	72R5285
18		RD-1-1896-0P	Tube - Heater	
19		RD-2-3416-0P	Tube Assembly - Outlet	
20		RD-3-9144-0P	Placard	
21		RD-3-9405-0P	Latch - Over Center Assembly - Gray	

ITEM	NOTE	PART NO.	DESCRIPTION	CAT. NO.
22		RD-3-9406-0M	Retainer - Latch Pivot	
23	A	RD-6-5893-0P	Electronic Thermostat	71R3351
24	A	RD-5-5261-0-.750M	Screw - #12 Plastite Hex HD.	
25	A	RD-3-9608-0P	Wire Harness Assembly	
26	A	RD-3-12929-0P	Wire Harness Assembly (Cat Only)	
27	A	RD-5-6690-0P	Relay 12v	71R1902
28	A	RD-5-6693-0P	Relay 24v	71R1904
29	A	RD-3-9137-0P	Converter Control	
30	A	RD-3-9142-0P	Plenum - Outlet	
31	A	RD-5-9053-0P	Louver	72R3140
32	A	RD-5-10934-0P	Switch - Rotary 3 Speed	71R1163
33	A	RD-5-8967-0P	Switch - Rocker Black	71R0840
34	A	RD-5-8812-0P	Knob - Rotary Control	71R4015
35	A	RD-5-9077-1P	Filter - Recirc	78R5410M
36	A	RD-5-12203-0P	Cover - Recirc Filter	
37	A	RD-5-9437-0P	Resistor (For 12v)	71R1402
38	A	RD-5-9445-0P	Resistor (For 24v)	71R1401
39	A	RD-3-9388-0P	Plenum - Outlet Assembly (Heater- A/C)	
40	A	RD-3-9388-1P	Plenum - Outlet Assembly (A/C)	
41	A	RD-3-9389-0P	Plenum Recirc. Assy.	

NOTES: A= Not shown

RED DOT CORPORATION

P.O.Box 58270 Seattle, WA 98138 (206) 575-3840 AMCustomerService@RedDotCorp.com

RD-3-9141-0 (REV J)

FOR REFERENCE ONLY. SUBJECT TO CHANGE WITHOUT NOTICE